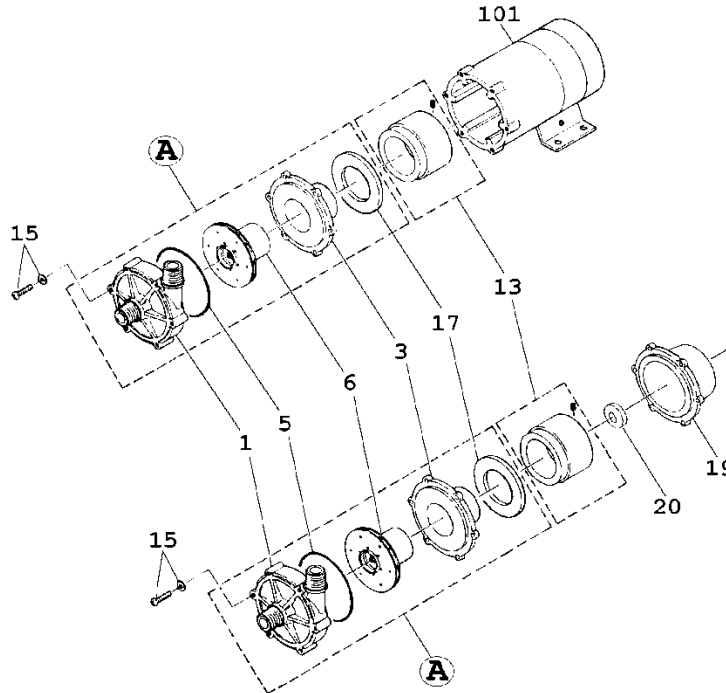




MD-55/100F EXPLODED  
VIEW PARTS LIST

IALT00272.A

April 2014



Item	Description		Q'ty	Material	MD-55F	MD-100F
					Part No.	Part No.
1	Front Casing (+Bearing) Unit-NPT		1	CFRETFE+SiC	MD0213	MD0347
3	Rear Casing (+Bearing) Unit		1	CFRETFE+SiC	MD0219	MD0235
5	O-Ring, AS568-242•-244		1	FKM	MD0214	MD0145
			1	EPDM	MD0409	MD0514
			1	Aflas®	MD9965	MD9976
6	Impeller Unit	"X" Ø 82 mm	1	CFRETFE+SiC CFRETFE+SiC +Ferrite	MD0216	
		"Y" Ø 72 mm	1		MD0217	
		"Z" Ø 60 mm	1		MD0218	
	Impeller Unit	"X" Ø 96 mm	1			MD0232
		"Y" Ø 82 mm	1			MD0233
		"Z" Ø 68 mm	1			MD0234
13	Drive Magnet Unit (Ø11,5mm)		1	Aluminium+Ferrite	MD0112	
*13	" for IEC Motor (Ø11,0mm)		1		MD0634	
13	Drive Magnet Unit (Ø14mm)		1	Aluminium+Ferrite		MD0150
*13	" for IEC Motor (Ø14mm)		1			MD0707
15	Bolt+Washer [M5x50•M6x50]		6	SUS304 equivalent	MD0601	MD0378
17	Retainer Ring		1	SUS304	MD0225	MD0155
101	Motor [AC115V] 1-Phase		1		1230310800	1000599800
	Motor [AC220/240V] 1-Phase		1		MD0324	MD0332
*19	Bracket for IEC Motor		1	FC200	MD0635	MD0336
*20	Spacer for IEC Motor		1	Aluminium	MD0636	MD0411
A	Wet End Set "X"		1	with FKM-A	L-MD-55FX	L-MD-100LFX
	Wet End Set "Y"		1	with FKM-A	L-MD-55FY	L-MD-100LFY
	Wet End Set "Z"		1	with FKM-A	L-MD-55FZ	L-MD-100LFZ

Note: Items marked with \* are required to fit an IEC Motor.

Subject to change without notice. Actual pump may differ from exploded view.