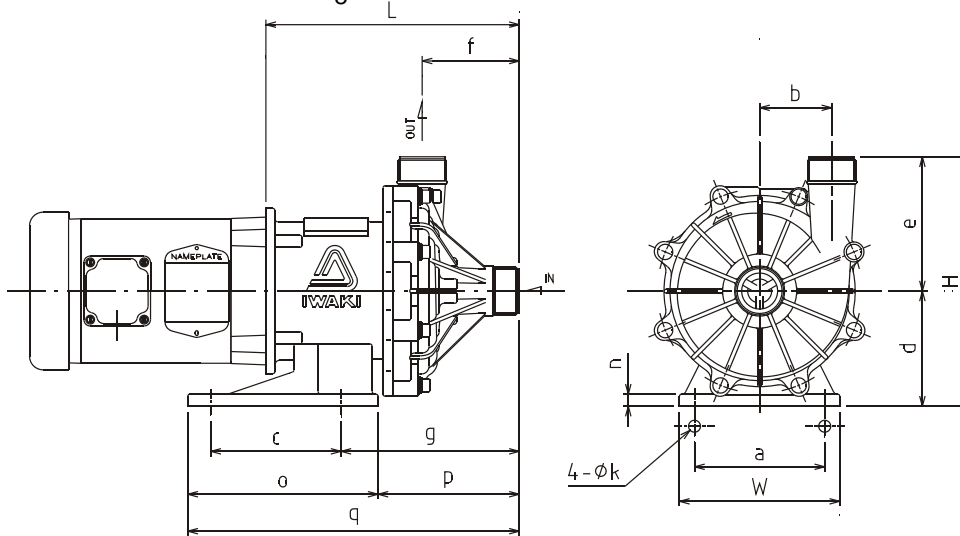


Model	MX-401		
Mark	AV (AE)	CV(CE)	RV (RE)
1 Front Casing	GFRPP		
2 Impeller	GFRPP		
3 Rear Casing	GFRPP		
4 Magnet capsule	PP		
5 O-ring	FKM <sup>1</sup>		
6 Spindle	Alumina Ceramic		
7 Bearing	Alumina Ceramic	Carbon	PTFE
8 Rear thrust	CFRPPS		
9 Mouth ring	PTFE		
10 Thrust/Liner ring	Alumina Ceramic		

<sup>1</sup> EPDM and AFLAS<sup>®</sup> o-ring also available

# MX-401 1.5 HP

- Engineered to meet the most severe operating conditions.
- When fitted with a carbon bearing, the MX will allow for brief periods of dry running.
- The MX Series is the first resin magnet pump that uses a Split Volute Pump Casing that forms a vortex chamber.
- Patented Self-radiating structure – Heat dispersion holes force the liquid to circulate around the spindle and bearing.



Dimensions (in inches)

a	b	c	d	e	f	g	k	n	o	p	q	W	H	L
5.12	2.83	5.12	4.53	5.28	3.82	7.01	0.47	0.47	7.48	5.55	13.03	6.30	9.81	9.96

### Specifications

Suction x Discharge	Max Discharge pressure	Max Flow	Specific gravity	Weight (less motor)
1.5" x 1.5"	6=59 FT. 7=68 FT.	80 GPM	1.2	22.5 lbs

