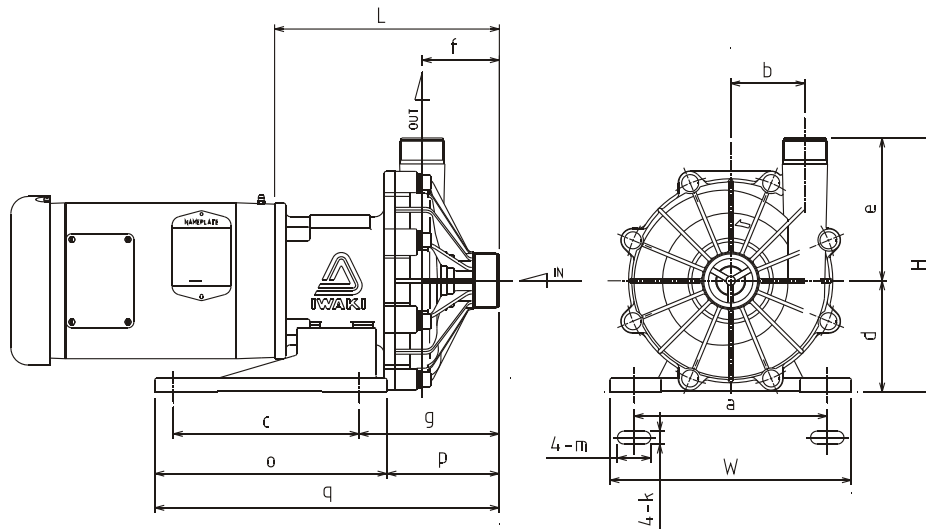


| Model | MX-402 | |
|----------------------|------------------|--------|
| Mark | CV(CE) | RV(RE) |
| 1 Front Casing | GFRPP | |
| 2 Impeller | GFRPP | |
| 3 Rear Casing | GFRPP | |
| 4 Magnet capsule | PP | |
| 5 O-ring | FKM ¹ | |
| 6 Spindle | Alumina Ceramic | |
| 7 Bearing | Carbon | PTFE |
| 8 Rear thrust | CFRPEEK | |
| 9 Mouth ring | PTFE | |
| 10 Thrust/Liner ring | Alumina Ceramic | |
| 11 Lock pin | GFRPPS | |

1 EPDM and AFLAS® o-ring also available



Dimensions (in inches)

| a | b | c | d | e | f | g | k | m | o | p | q | W | H | L |
|------|------|------|------|------|------|------|------|------|------|------|-------|-------|-------|------|
| 8.19 | 3.15 | 7.87 | 4.72 | 6.06 | 3.27 | 5.94 | 0.47 | 1.42 | 9.84 | 4.76 | 14.61 | 10.24 | 10.78 | 9.53 |

Specifications

| Suction x Discharge | Max Discharge pressure | Max Flow | Specific gravity | Weight (less motor) |
|---------------------|------------------------|----------|------------------|---------------------|
| 2" x 1.5" | 73 FT | 107 GPM | 1.2 | 29.8 lbs |

5 Boynton Road Hopping Brook Park Holliston, MA 01746-1446 USA
 Tel: 508-429-1440 www.iwaki-america.com P/N IF20542.D 3/6/2015

MX-402 2 HP

- Engineered to meet the most severe operating conditions.
- When fitted with a carbon bearing, the MX will allow for brief periods of dry running.
- The MX Series is the first resin magnet pump that uses a Split Volute Pump Casing that forms a vortex chamber.
- Patented Self-radiating structure – Heat dispersion holes force the liquid to circulate around the spindle and bearing.

MX-402

