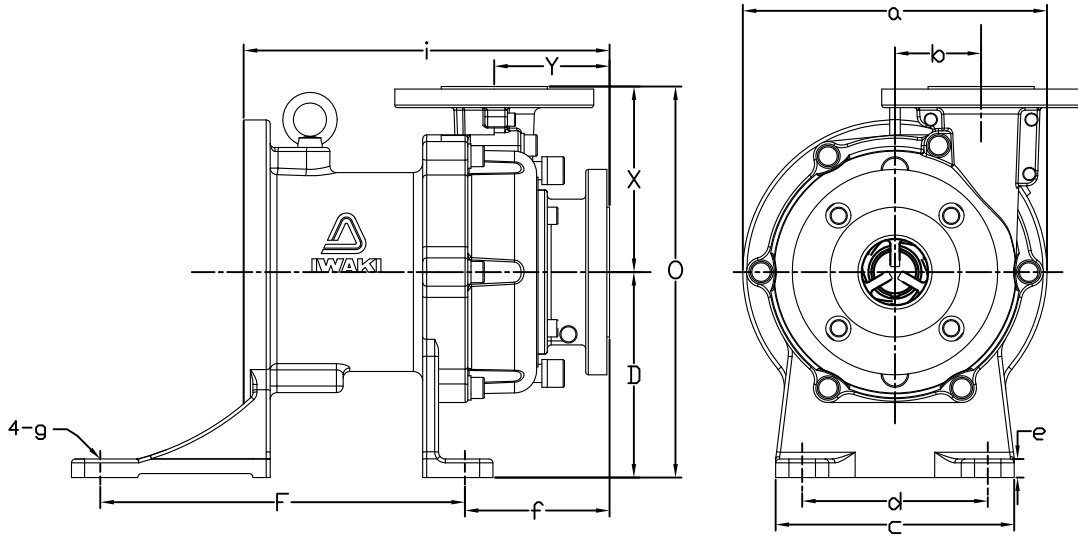





REVISIONS			
REV	DESCRIPTION	DATE	APPROVED

MODEL	HP/ FRAME	PUMP FLANGES (2)	
		SUCTION	DISCHARGE
MXM-545	5/184TC	2"	1.5"



PUMP DIMENSIONS (1)												
a	b	c	d	D	e	f	F	g	i	□	X	Y
9.9	2.6	7.1	5.5	6.1	0.55	4.2	10.8	0.55	10.9	11.6	5.5	3.4

NOTES AND REFERENCES:
 (1) ALL DIMENSIONS IN INCHES. ALL TOLERANCES ± .125", CONSULT IWAKI AMERICA FOR MORE DETAILS.
 (2) BOLT HOLE LOCATIONS OF SUCTION AND DISCHARGE FLANGES CONFORM TO ANSI B16.5 150 LB STANDARD.
 (3) DRAWN PER 22B403827.

PROPRIETARY THIS DRAWING CONTAINS CONFIDENTIAL INFORMATION PROPRIETARY TO IWAKI AMERICA. IT MUST NOT BE REPRODUCED OR FORWARDED TO OTHERS OR USED IN ANY OTHER WAY, IN WHOLE OR IN PART, UNLESS AUTHORIZED IN WRITING BY IWAKI AMERICA.		TOLERANCES DIMENSIONS IN INCHES (MM)		 www.IwakiAmerica.com		5 Boynton Rd. Hopping Brook Park Holliston, MA 01746 (508) 429-1440	
		UNLESS OTHERWISE NOTED X = .050 .XX = .010 .XXX = .005					
MATERIAL DUCTILE IRON		DEBURR AND BREAK ALL SHARP EDGES		DESCRIPTION MXM-545 MAG DRIVE PUMP		REV A	
BY JTS	DATE 1/23/2008	SIZE A	DWG NO. IALT-00087	SCALE: FULL		THIRD ANGLE PROJECTION	
APPROVED PB	DATE 1/23/2008	SHEET: 1 OF 1		©			

