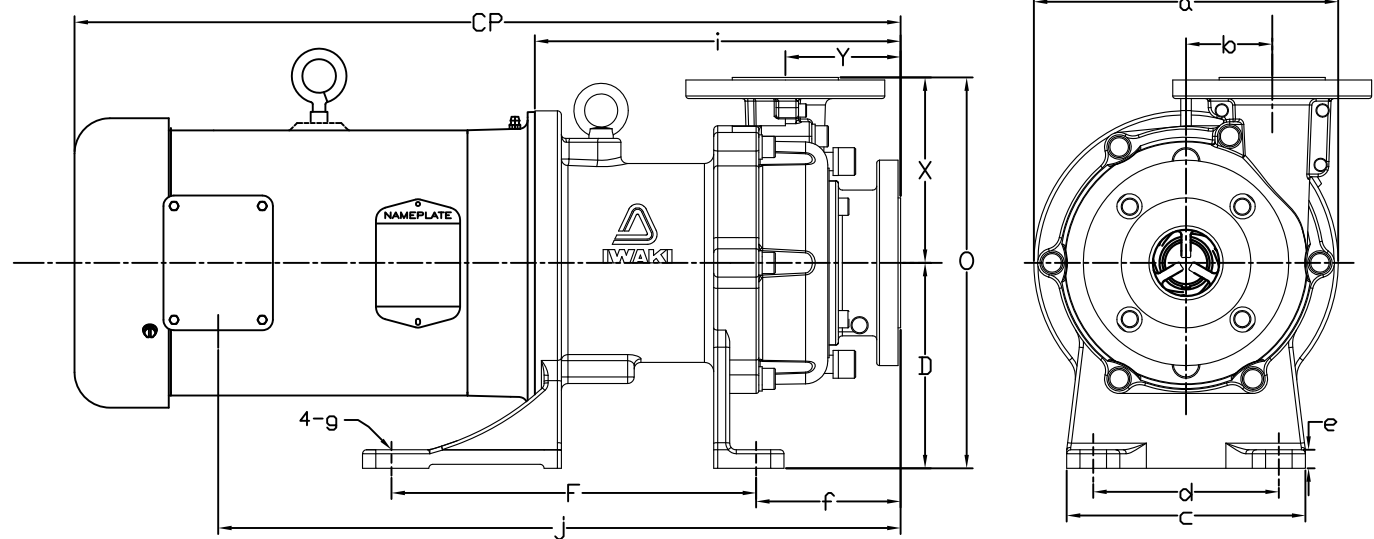





REVISIONS			
REV	DESCRIPTION	DATE	APPROVED

MODEL	HP/ FRAME	PUMP FLANGES (2)	
		SUCTION	DISCHARGE
MXM-545	5/184TC	2"	1.5"



PUMP DIMENSIONS (1)														
a	b	c	d	D	e	f	F	g	i	j	D	X	Y	CP(3)
9.9	2.6	7.1	5.5	6.1	0.55	4.2	10.8	0.55	10.9	18.5	11.6	5.5	3.4	24.7

- NOTES AND REFERENCES:**
- (1) ALL DIMENSIONS IN INCHES. ALL TOLERANCES  $\pm .125"$ , CONSULT IWAKI AMERICA FOR MORE DETAILS.
  - (2) BOLT HOLE LOCATIONS OF SUCTION AND DISCHARGE FLANGES CONFORM TO ANSI B16.5 150 LB STANDARD.
  - (3) DIMENSION MAY VARY BASED ON MOTOR MANUFACTURER.
  - (4) DRAWN PER 22B403827.

<b>PROPRIETARY</b>		<b>TOLERANCES</b>		 5 Boynton Rd. Hopping Brook Park Holliston, MA 01746 (508) 429-1440 <a href="http://www.IwakiAmerica.com">www.IwakiAmerica.com</a>	
THIS DRAWING CONTAINS CONFIDENTIAL INFORMATION PROPRIETARY TO IWAKI AMERICA. IT MUST NOT BE REPRODUCED OR FORWARDED TO OTHERS OR USED IN ANY OTHER WAY, IN WHOLE OR IN PART, UNLESS AUTHORIZED IN WRITING BY IWAKI AMERICA.		DIMENSIONS IN INCHES (MM)  UNLESS OTHERWISE NOTED X = .050 .XX = .010 .XXX = .005			
MATERIAL <b>DUCTILE IRON</b>		DEBURR AND BREAK ALL SHARP EDGES			
BY JTS	DATE 1/23/2008	SIZE A	DWG NO. IALT-00090	DESCRIPTION MXM-545 MAG DRIVE PUMP	REV A
APPROVED PB	DATE 1/23/2008	SCALE: FULL	THIRD ANGLE PROJECTION	SHEET: 1 OF 1	

