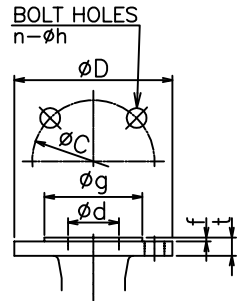
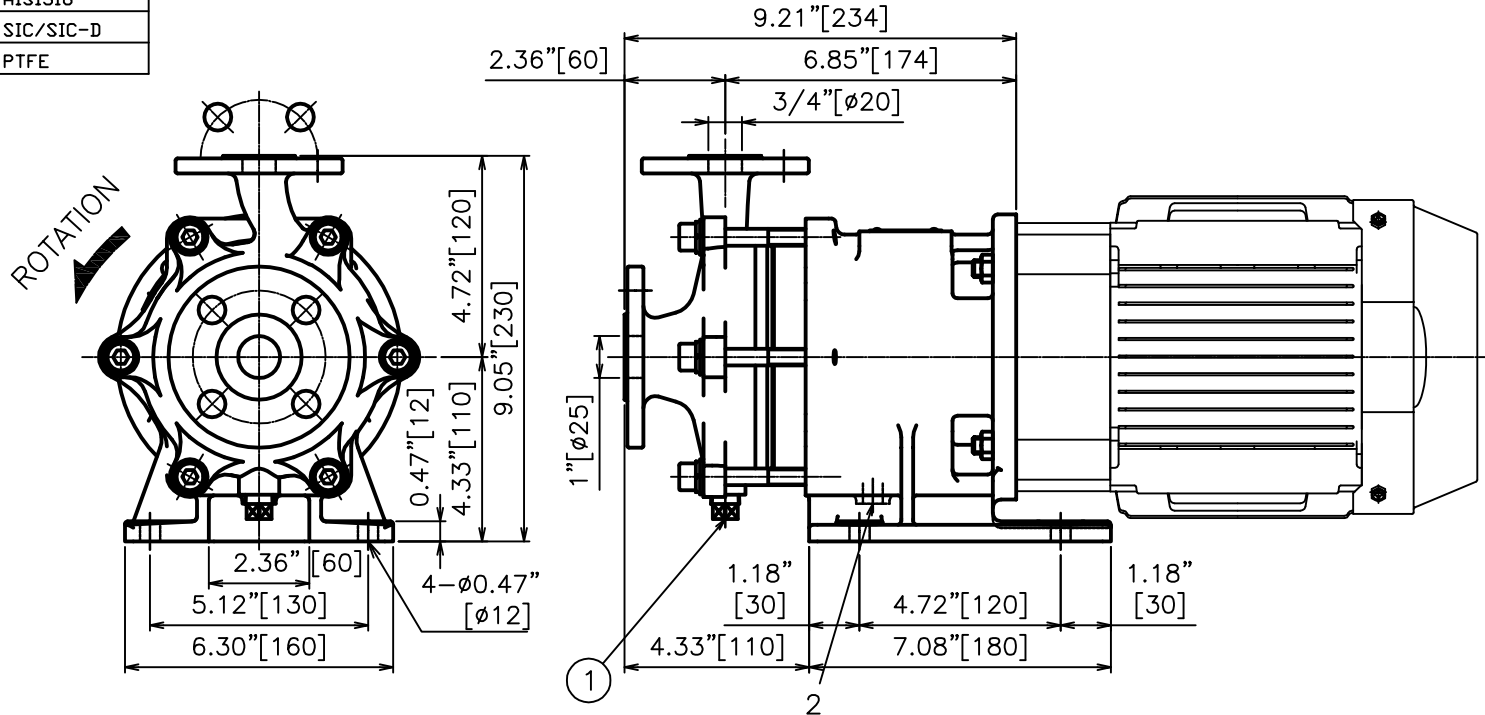


Materials of Construction

CASING	ACI-CF-8M
REAR CASING	AISI316
IMPELLER	ACI-CF-8M
MAGNET COUPLING	AISI316
SHAFT	AISI316
BEARING	SIC/SIC-D
GASKET	PTFE

REVISIONS			
REV	DESCRIPTION	DATE	APPROVED
A	RELEASED	5/24/2018	CJC



FLANGE DIMENSIONS * SMOOTH FINISH (mm)

RATING		SIZE(d)	D	t	f	g	C	n	h
ASME 150lb RF	SUCTION	1"	4.25" [108]	0.44" [11.2]	0.06" [1.6]	2.00" [50.8]	3.12" [79.2]	4	0.62" [16]
	DISCHARGE	3/4"	3.88" [99]	0.41" [10.5]	0.06" [1.6]	1.69" [42.9]	2.75" [69.8]	4	0.62" [16]

MOTOR		PUMP	
FRAME SIZE	OUTPUT (HP)	CODE	MASS APPROX lb[kg]
56C	1	MP220-*N10AN MP220-*N10AH	50.7[23]
143TC 145TC	2	MP220-*N20AN MP220-*N20AH	

NOTES:

- CASING DRAIN; Rc3/8 (PLUG)
- FRAME ADAPTER DRAIN; 1- ϕ 0.47" [12] (OPEN)
- DRAWN PER MMP220-140-A-XA
- SOME FEATURES MAY VARY SLIGHTLY.

<p>PROPRIETARY</p> <p>THIS DRAWING CONTAINS CONFIDENTIAL INFORMATION PROPRIETARY TO IWAKI AMERICA. IT MUST NOT BE REPRODUCED OR FORWARDED TO OTHERS OR USED IN ANY OTHER WAY, IN WHOLE OR IN PART, UNLESS AUTHORIZED IN WRITING BY IWAKI AMERICA.</p>		<p>TOLERANCES</p> <p>DIMENSIONS IN INCHES OMD</p> <p>UNLESS OTHERWISE NOTED</p> <p>X = .050</p> <p>.XX = .010</p> <p>.XXX = .00</p> <p>DEBURR AND BREAK ALL SHARP EDGES</p>		<p>5 Boynton Rd. Hopping Brook Park Holliston, MA 01746 (508) 429-1440</p> <p>www.IwakiAmerica.com</p>	
		<p>MATERIAL</p> <p>SEE CHART</p>			
BY	DATE	SIZE	DWG NO.	DESCRIPTION	REV
JP	5/24/2018	B	SWD-00101	MP-220 (1-2 HP)	A
APPROVED	DATE	SCALE:	FULL	THIRD ANGLE PROJECTION	SHEET: 1 OF 1
CJC	5/24/2018				