

Materials of Construction

CASING	ACI-CF-8M
REAR CASING	AISI316
IMPELLER	ACI-CF-8M
MAGNET COUPLING	AISI316
SHAFT	AISI316
BEARING	SIC/SIC-D
GASKET	PTFE

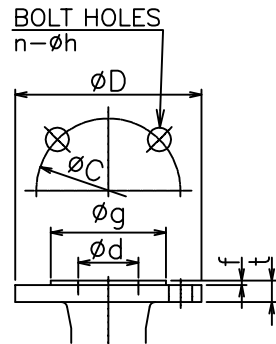
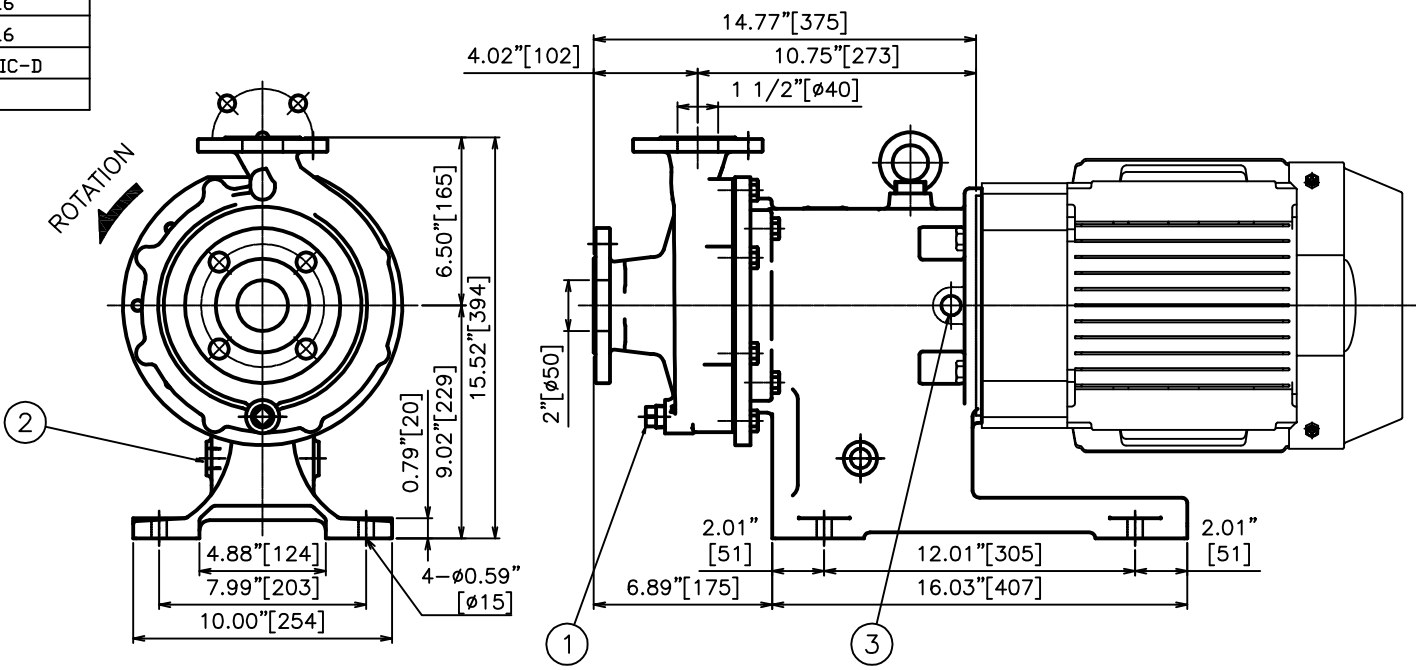
REVISIONS			
REV	DESCRIPTION	DATE	APPROVED
A	RELEASED	5/24/2018	CJC

A

B

C

D



FLANGE DIMENSIONS * SMOOTH FINISH (mm)

RATING		SIZE(d)	D	t	f	g	C	n	h
ASME 150lb RF	SUCTION	2"	6.00" [152]	0.62" [15.8]	0.06" [1.6]	3.62" [91.9]	4.75" [120.6]	4	0.75" [19]
	DISCHARGE	1 1/2"	5.00" [127]	0.56" [14.3]	0.06" [1.6]	2.88" [73.2]	3.88" [98.6]	4	0.62" [16]

MOTOR	
FRAME SIZE	OUTPUT (HP)
182TC	5
184TC	5
213TC	7 1/2
215TC	10
254TC	15
256TC	20

- NOTES:
1. CASING DRAIN ; NPT1/2 (PLUG)
 2. FRAME ADAPTER DRAIN ; NPT1/2 (OPEN)
 3. CONNECTION ; NPT1/2 (PLUG)
 4. DRAWN PER MP5430-180-A-XA; MP5430-210-A-XA; MP5430-250-A-XA
 5. SOME FEATURES MAY VARY SLIGHTLY.

<p>PROPRIETARY</p> <p>THIS DRAWING CONTAINS CONFIDENTIAL INFORMATION PROPRIETARY TO IWAKI AMERICA. IT MUST NOT BE REPRODUCED OR FORWARDED TO OTHERS OR USED IN ANY OTHER WAY, IN WHOLE OR IN PART, UNLESS AUTHORIZED IN WRITING BY IWAKI AMERICA.</p>		<p>TOLERANCES</p> <p>DIMENSIONS IN INCHES OMD</p> <p>UNLESS OTHERWISE NOTED</p> <p>X = .050</p> <p>.XX = .010</p> <p>.XXX = .00</p> <p>DEBURR AND BREAK ALL SHARP EDGES</p>		<p>IWAKI</p> <p>SANWA PUMP</p> <p>www.lwakiAmerica.com</p>		<p>5 Boynton Rd. Hopping Brook Park Holliston, MA 01746 (508) 429-1440</p>	
MATERIAL		SEE CHART		BY		DATE	
BY		DATE		SIZE		DWG NO.	
JP		5/24/2018		B		SWD-00115	
APPROVED		DATE		SCALE:		THIRD ANGLE PROJECTION	
CJC		5/24/2018		FULL		SHEET: 1 OF 1	
DESCRIPTION				REV			
MP5430 (5-20 HP)				A			